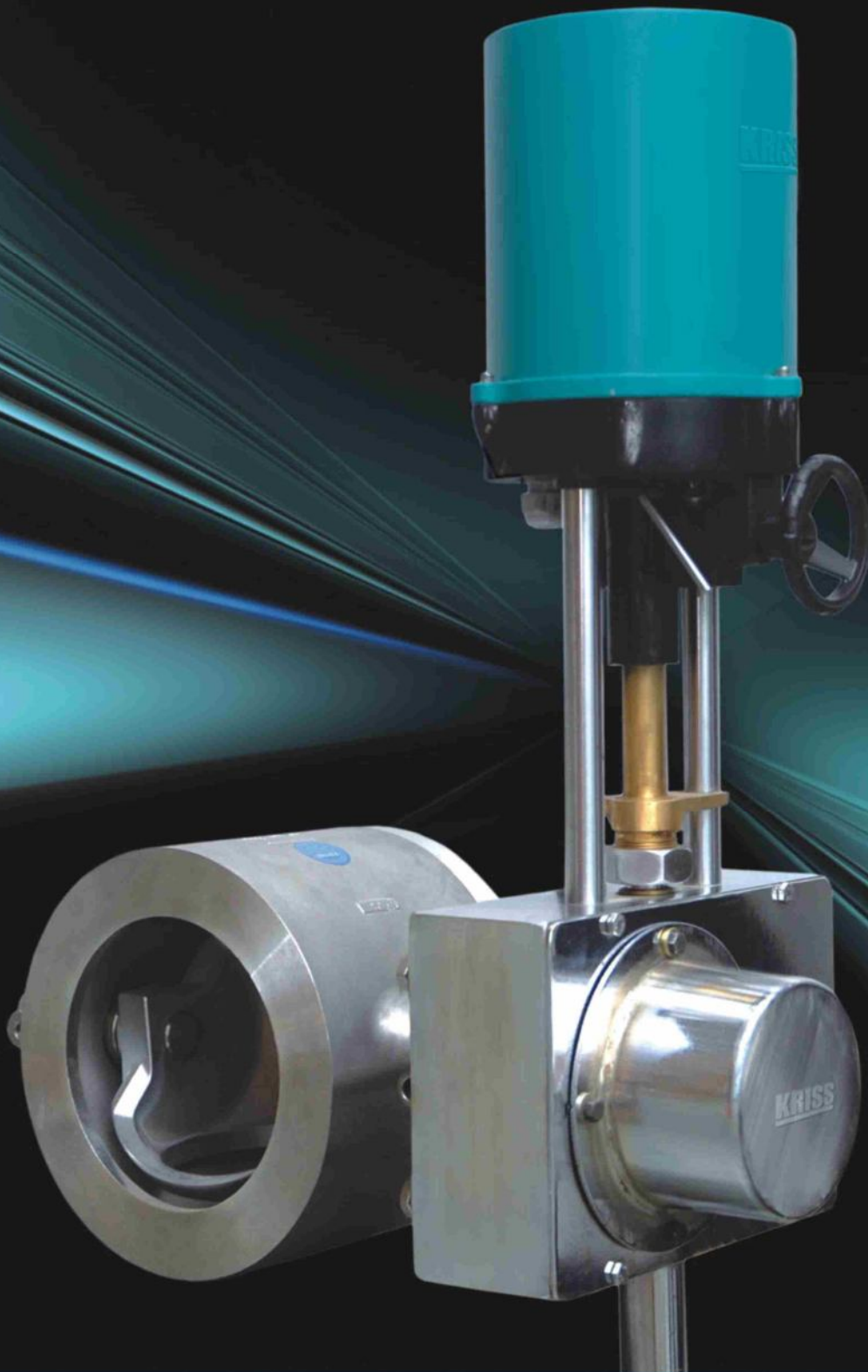


'V' Notch Segmented **Ball Valve** with
Intelligent **Electrical Actuator**
Basis Weight Valve

1550 SERIES



YES. WE CARE...

| Courteously | Attentively | Respectably | Effectively |

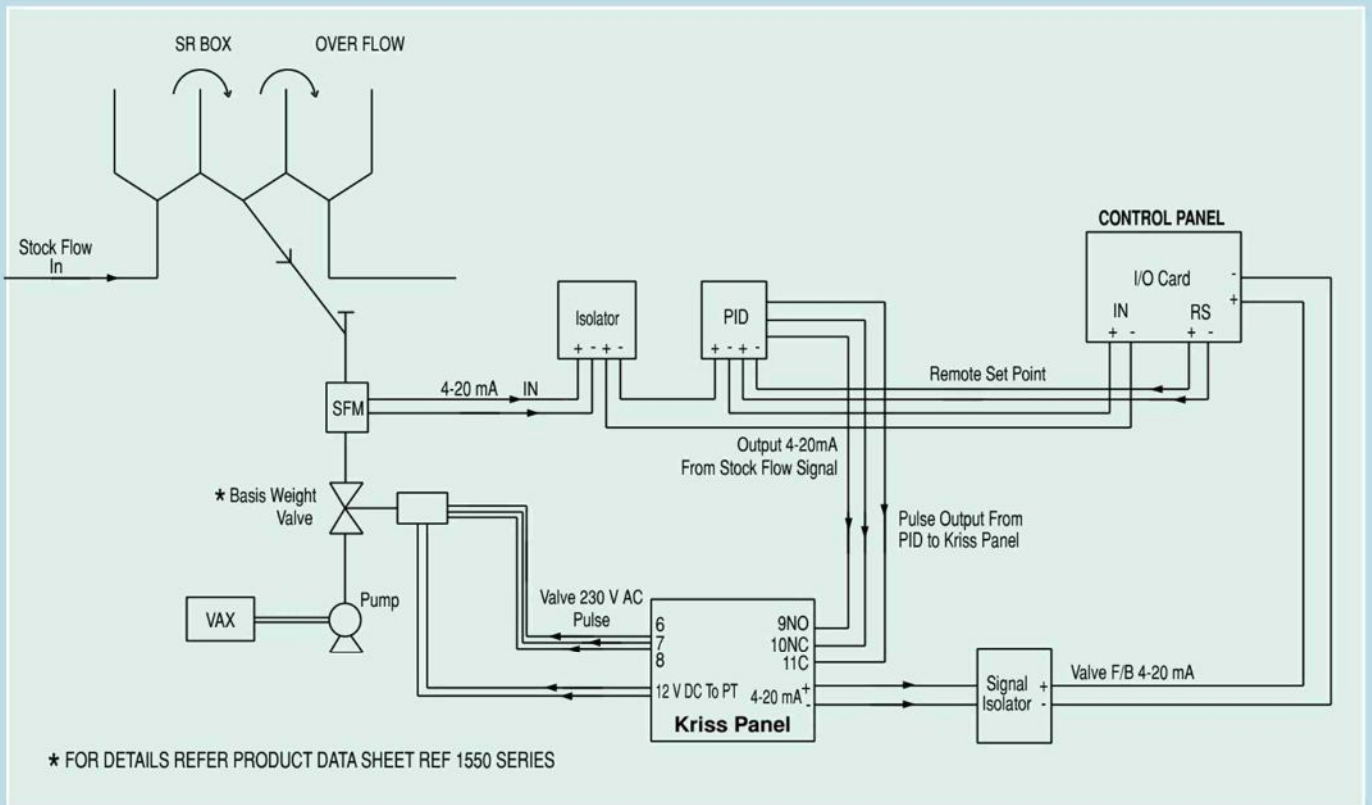
| www.sudeengg.com | www.sdtork.com |

KRISS



A TYPICAL SUCCESSFUL INSTALLATION FLOW CHART OF BASIS WEIGHT VALVE WITH OTHER COMPONENTS

ALERT : AVOID GIVING DIRECT SIGNAL TO THE VALVE ACTUATOR FROM FLOW METER/SCANNER, USAGE OF PID IS MOST IMPORTANT, WHICH WILL ACCEPT THE SIGNAL FROM FLOW METER/SCANNER AND OUTPUT SIGNAL OF PID FEEDED TO THE VALVE ACTUATOR FOR FINE CONTROL, ANY FLUCTUATIONS PID TAKES CARE.



NOTE : TECHNICAL SPECIFICATIONS, DETAILS & DIMENSIONS ARE SUBJECT TO CHANGE WITH PRIOR NOTICE. DIMENSIONS IN THE TABLE ARE APPROXIMATE SUBJECT TO FINAL CONFIRMATION BY KRISS INSTRUMENTATION



Head Office, Bangalore

KRISS

KRISS INSTRUMENTATION

Registered Office / Works :

Shop No. 1106, 10th Main Road, R.P.C. Layout,
Near R.P.C. Layout Bus Stop, Hampinagar,
Bangalore 560 104. (Old Pin 560040) Karnataka, India

Tel. : +91 80 2330 2145 / 2314 1104 / 2340 2297

Fax : +91 80 2330 5729

Cell : +91 9845018216

E-mail : krissinstrumentation1993@gmail.com